

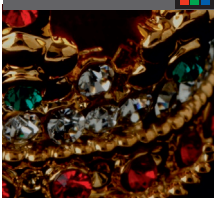
## High Definition, High Brightness and Flexible Installation for 24/7 Operation



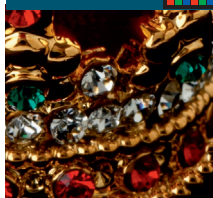
### Bright 600 cd/m2 image is clear even in brightly lit areas

4 times the pixel resolution of Full-HD, showing lifelike images with incredible realism.

Full HD LCD panel



4K Ultra-HD LCD panel



### Built-in media player provides 4K signage without a separate PC

By utilizing a commercially available USB drive, 4K still images or videos can easily be displayed without the need of a PC.

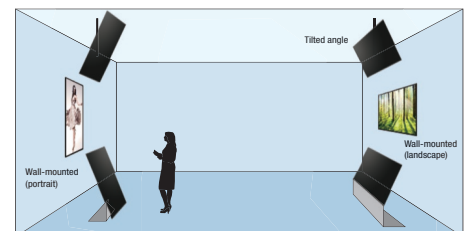
#### USB Memory Slot



Attach the included cover to prevent theft of a USB memory drive.

### Flexible installation

PN-HE series supports Landscape/Portrait/Tilt-forward/Tilt-backward installation.



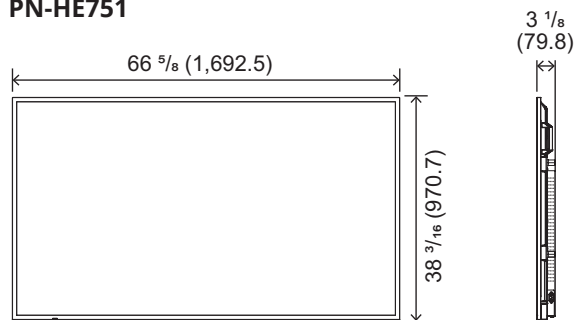
# Specifications

Model Name		PN-HE751	PN-HE651
Installation		Landscape / Portrait	
LCD Panel		75" class (74 1/2" diagonal) TFT LCD	65" class (64 1/2" diagonal) TFT LCD
	Backlight	LED, full array	
	Max. Resolution	3,840 × 2,160 pixels	
	Max. Display Colors (approx.)	1,070 million colors	
	Pixel Pitch (HxV)	0.43 × 0.43 mm	0.372 × 0.372 mm
	Max Brightness *1	600 cd/m 2	
	Contrast Ratio	1,200 : 1	
	Viewing Angle (H/V)	178°/178° (CR ≥10)	
	Active Screen Area (W×H)	64 15/16" × 36 9/16"	56 1/4" × 31 5/8"
	Response Time	8ms (grey to grey, avg.)	
Computer Input	Video	Analog RGB (0.7 Vp-p) [75Ω]	
	Synchronization	Horizontal/vertical separation (TTL: positive/negative)	
	Plug & Play	VESA DDC2B	
Input Terminals*2	Video	Mini D-sub 15-pin × 1, HDMI × 3	
	Audio	3.5mm mini stereo jack × 1	
	Serial (RS-232C)	D-sub 9 pin × 1	
Output Terminals*2	Video	-	
	Audio	3.5mm mini stereo jack × 1	
	Serial (RS-232C)	D-sub 9 pin × 1	
LAN Terminal		10Base-T/100Base-TX	
Speakers Output		10W + 10W	
Power Requirement		AC 100 - 240 V, 50/60 Hz	
Mounting		4 points, 800 × 400 mm pitch, M8 screw	4 points, 600 × 400 mm pitch, M8 screw
Environmental Conditions	Operating Temperature *3	32°F to 104°F	
	Operating Humidity	20% to 80% (no condensation)	
Power Consumption (Input signal waiting state/standby mode*4)		240 W (0.5W / 0.5W)	190 W (0.5W / 0.5W)
Dimensions (approx.)		66 5/8" × 3 1/8" × 38 3/16"	58 1/8" × 3 1/16" × 33 9/16"
Weight (approx.)		75 lbs.	61.8 lbs.

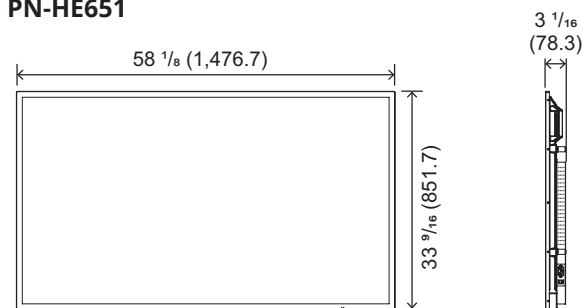
\*1 Brightness depends on input mode and other picture settings. Brightness level will decrease over time. Due to the nature of the equipment, it is not possible to precisely maintain a constant level of brightness. \*2 Use a commercially available connection cable for PC and other video connections. \*3 Temperature conditions may change when using the monitor together with optional equipment. In such cases, check the temperature conditions specified by the optional equipment. \*4 No optional part is attached.

# Specifications

## PN-HE751

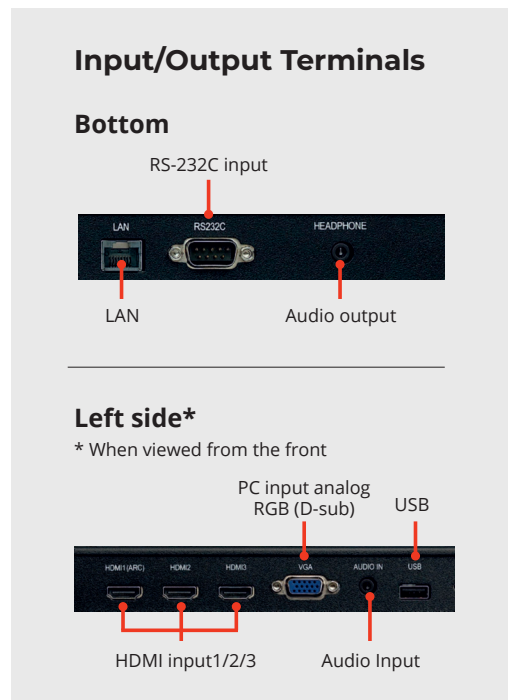


## PN-HE651



Units: inch (mm)

Design and specifications are subject to change without prior notice.



©2022 Sharp Electronics Corporation. All rights reserved.

Sharp is a registered trademark of Sharp Corporation and/or its affiliated companies. The terms HDMI, HDMI High-Definition Multimedia Interface and the HDMI Logo are trademarks or registered trademarks of HDMI Licensing Administrator, Inc. All other brand names and product names may be trademarks or registered trademarks of their respective owners.

Pulse Technology  
(888) 357-4277

